

## Sink Diade

Kitchen Sinks

Code: 3028 850



### DETAILS

Edge/Installation Type	Undermount
Material	AISI 304 stainless steel
Texture	Brushed in line
Finish	Foster brushed
Base	90 cm
Width	80 cm
Dimensions	800 x 440 mm
Bowl dimension	760 x 400 mm
Built-in hole	<a href="#">View technical data sheet</a>

Standard fittings

Fixing hooks, drain, overflow and siphon, boxed packing

Mixer holes

No standard holes

Drainer

No

Number of bowls

1 bowl

Waste fitting

3,5" drain

## FEATURES

Basket 3,5" waste fitting

The drain is equipped with a large 3.5" drain, with the practical basket cap that prevents the discharge of solid parts.

Deep bowls

This bowls reach an important depth, over 20 cm, thanks to the advanced production technology, that can be offer great capiciency and practicity in all the washing operations.

High thickness

1mm thick steel. A significant thickness, which guarantees the maximum sturdiness and durability.

MOULDED BOTTOM

The moulded bottom guarantees perfect water flow and facilitates cleaning operations thanks to the perimeter step with sloping walls.

Perimetral overflow

The overflow is always a security on the Foster sinks that prevents the overflow of water in case of oversights. The perimeter drain solution improves aesthetics thanks to its square and essential shape.

Save space system

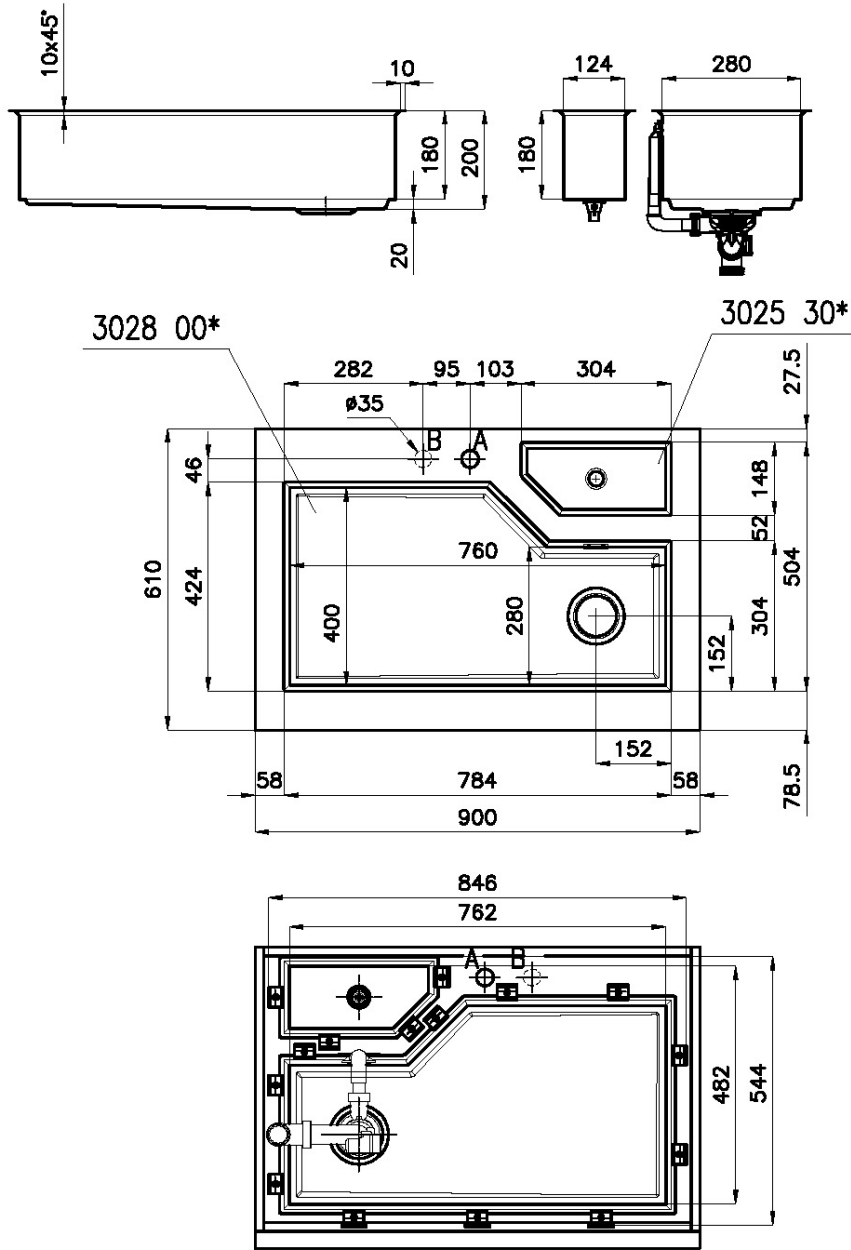
Drain and siphon are designed to leave as much space as possible in the under-sink area, more and more useful today for theseparate waste collection systems.

Space waste fitting

The elegant SPACE steel cap closes the drain and leaves no visible residues collected in the basket below. Space also has a small footprint and allows the optimal use of the under-sink compartment.

## TECHNICAL DATA

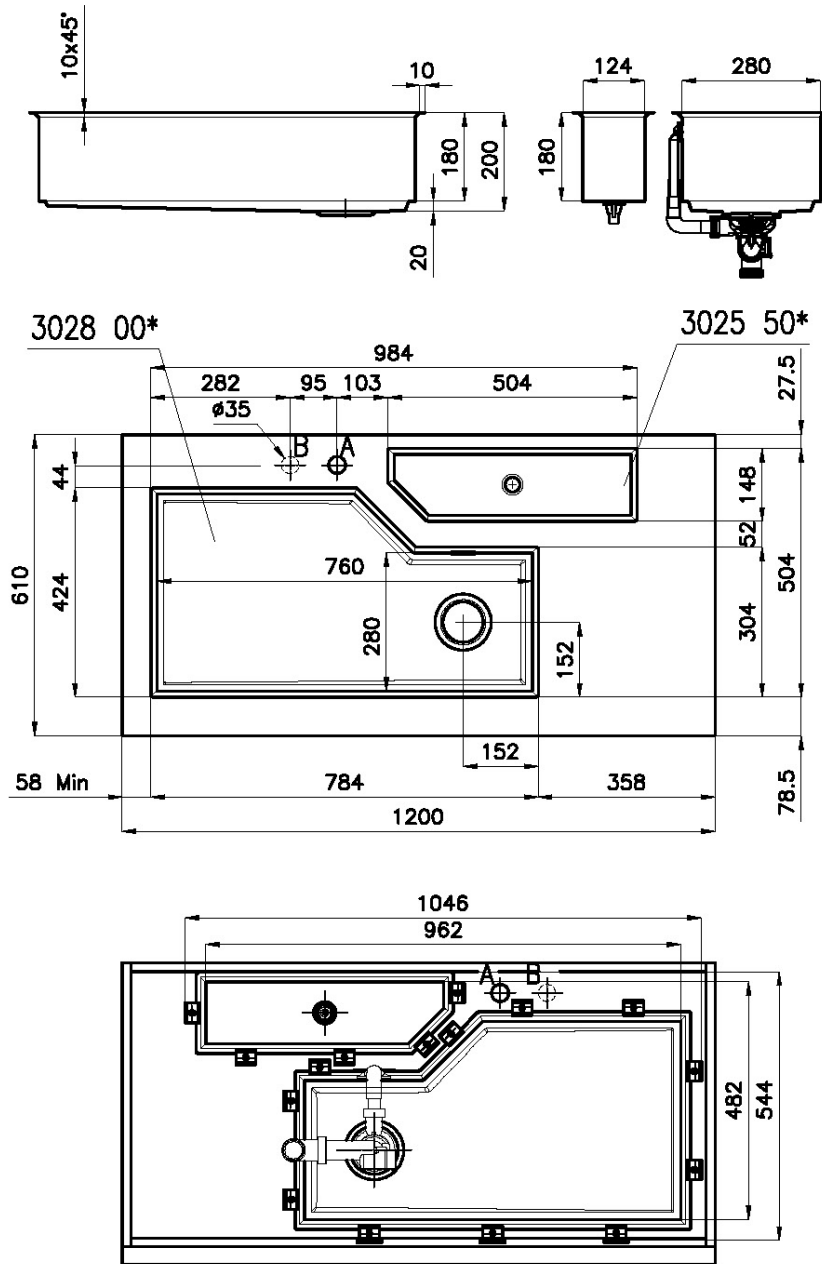
Sottotop/Under-mount  
Base 90 | 90 Cabinet



A: Foro Mix/Mixer tap cut-out

B: Foro comando automatico piletta/Automatic waste-fitting command cut-out

## Sottotop/Under-mount Base 120 | 120 Cabinet



A: Foro Mix/Mixer tap cut-out

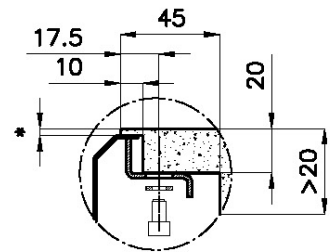
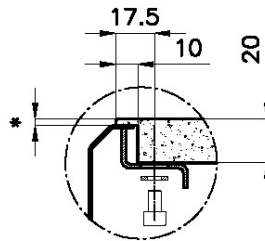
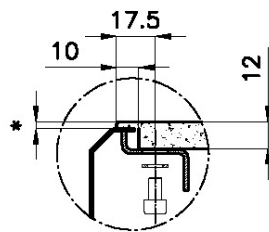
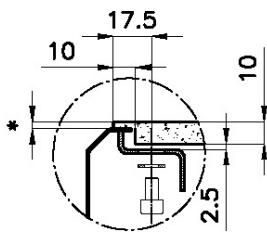
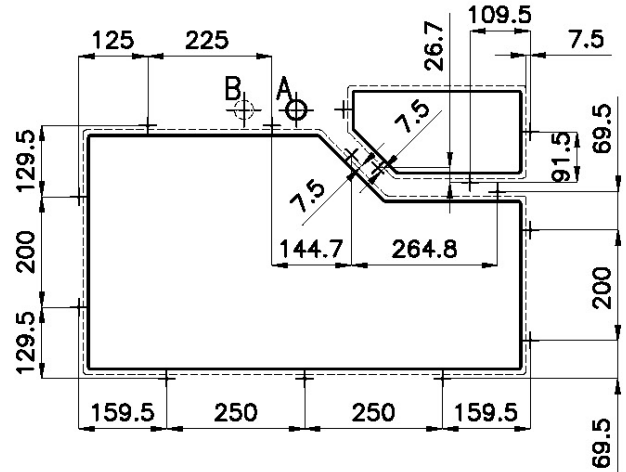
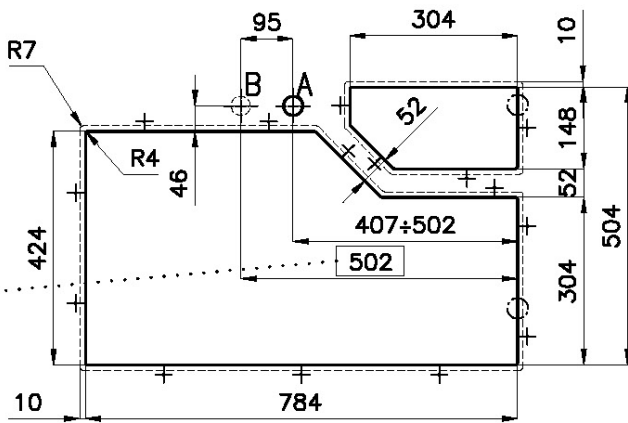
B: Foro comando automatico piletta/Automatic waste-fitting command cut-out

## Sottotop/Under-mount

### Base 90 | 90 Cabinet

Cut out size

Dimensioni per foratura top



Quota max per piletta automatica / Max quote for automatic drain

\*lo spessore minimo deve essere valutato in base alla resistenza del materiale

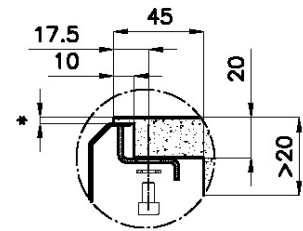
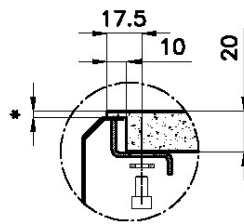
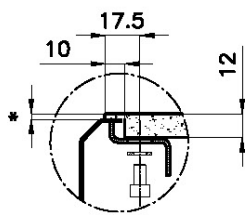
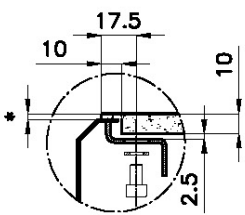
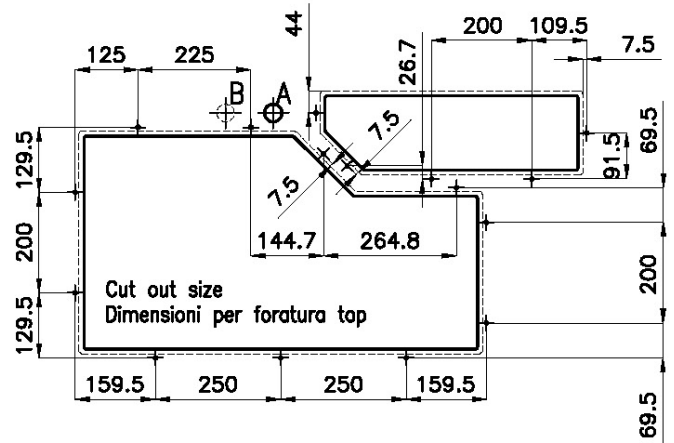
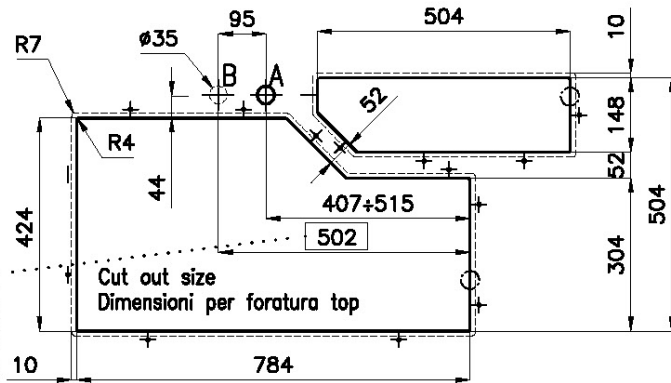
\*Minimum thickness must be evaluated in reference to the material's resistance

sink thickness/spessore acciaio

1

## Sottotop/Under-mount Base 120 | 120 Cabinet

Cut out size  
Dimensioni per foratura top

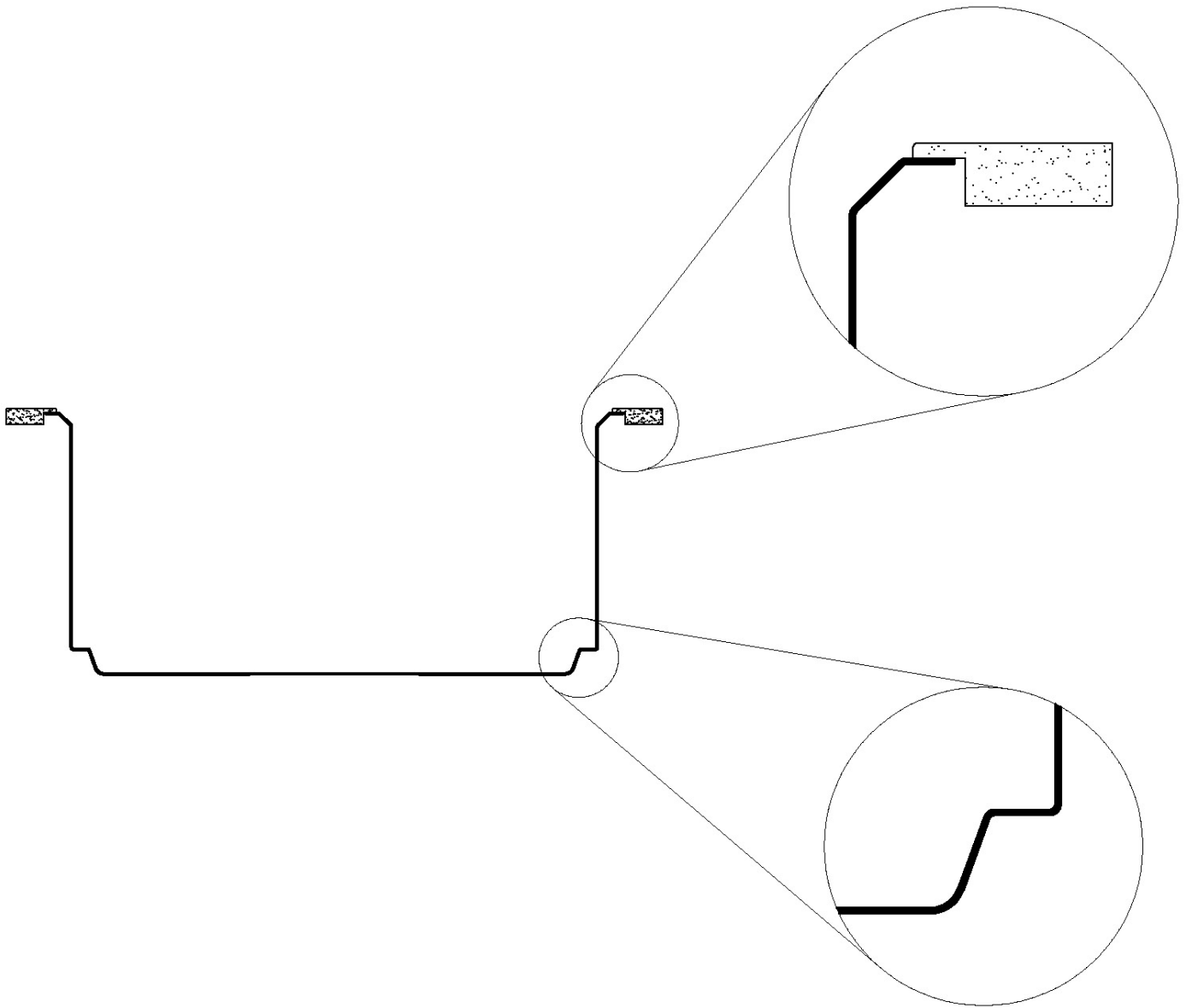


Quota max per piletta automatica / Max quote for automatic drain

\*lo spessore minimo deve essere valutato in base alla resistenza del materiale  
\*Minimum thickness must be evaluated in reference to the material's resistance

sink thickness/spessore acciaio 1

## SOTTOTOP



## GALLERY



## EQUIPMENT



**Black multifunction chopping board**

8100 608

## OPTIONAL ACCESSORIES



**Stainless steel perforated tray**

8151 001



**Black lid**

8151 005



**Stainless steel colander**

8151 010



**Iroko-wood round chopping board**

8642 005



## RECOMMENDED PAIRINGS



**VOLTA**  
8491 100



**Dispenser Evo Satin**  
8520 100



**Diade equipped troughs**  
8100 800



**Diade equipped troughs**  
8100 801



**Diade equipped troughs**  
8100 802

## OPTIONAL AUTOMATIC WASTE FITTINGS



**Space Push automatic waste fitting**  
- PP  
8407 116